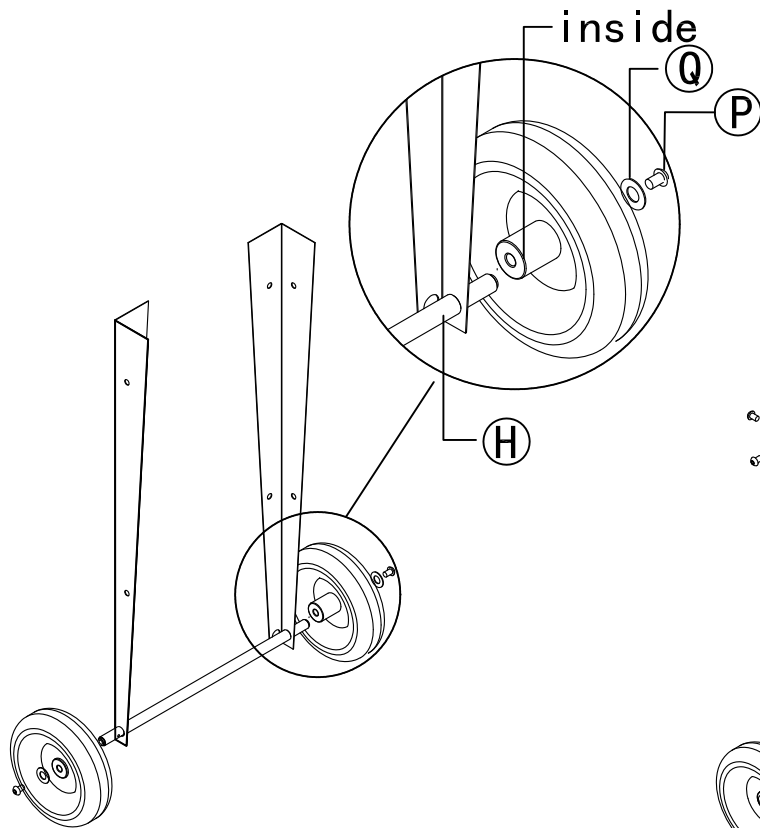
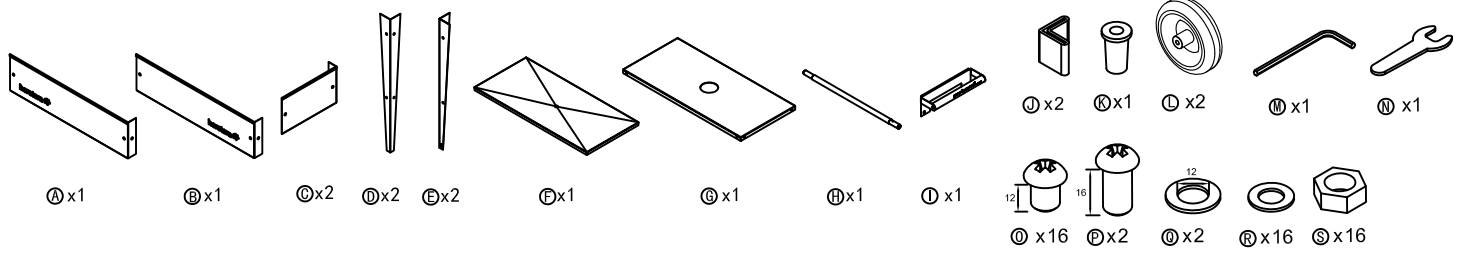
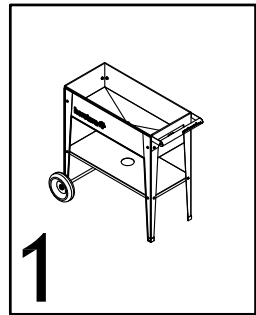
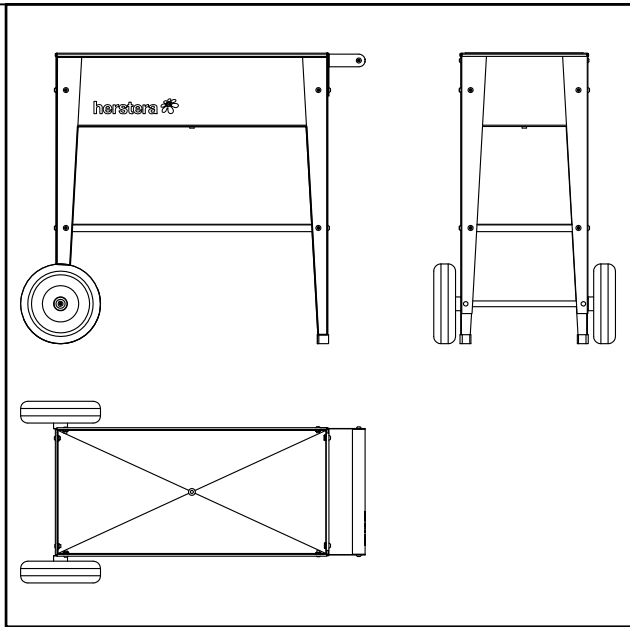
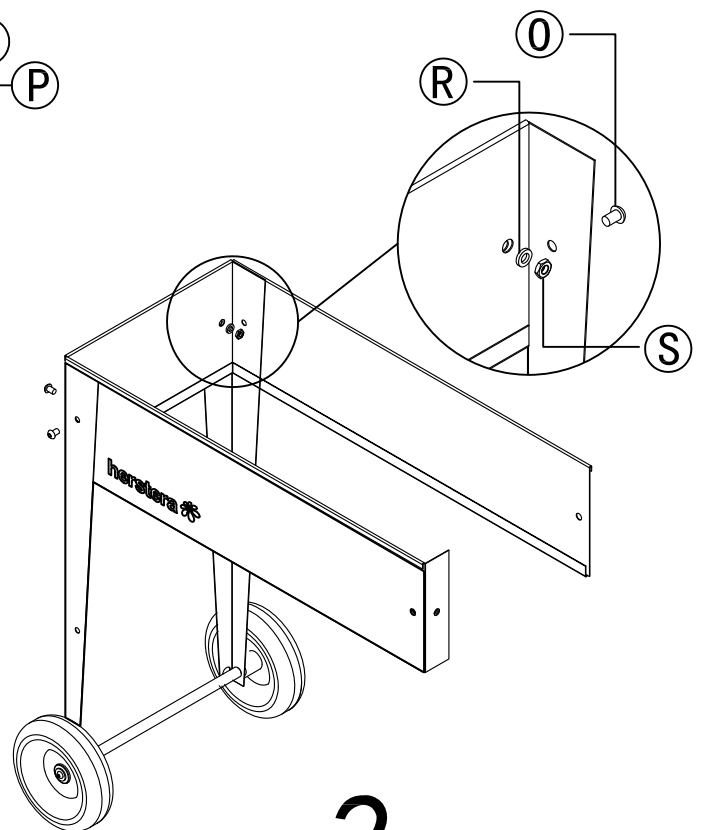


instructions

- 1、 the ① and ② are different;
- 2、 the ④ and ⑤ are different;



1



2

instructions

- 1、 firstly, have ① inserted in ②, and then screw with ③ and ④;
- 2、 the ① and ③ are different;
- 3、 the ④ and ⑤ are different;

